

ArtSkills

LIGHT-UP TRACING STUDIO

Instruction Sheet

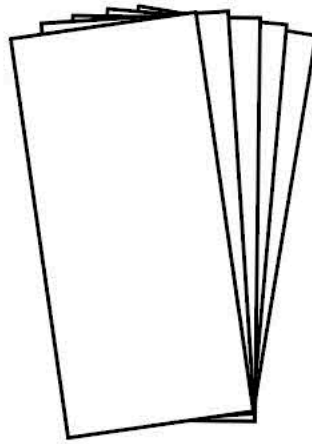
Contents



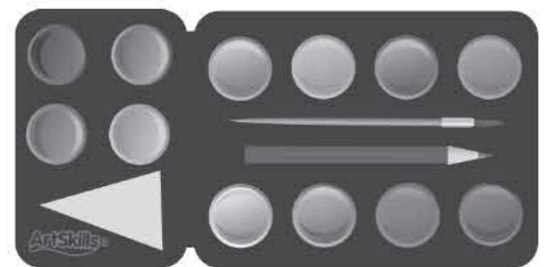
Lightbox



Design Sheets
x6



Blank Sheets
x5



Watercolor Palette
with Brush & Sponge



Permanent
Marker



Pencil

follow us @artskills



#lightuptracingstudio

#artskillstraceanddesign #artskills

SCAN QR CODE FOR ADDITIONAL INSTRUCTIONS & INSPIRATION!

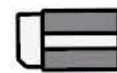


WARNING:

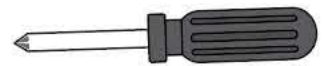
CHOKING HAZARD - Small parts.
Not for children under 3 years.



Other Things You'll Need!



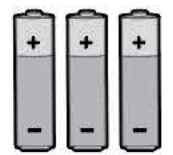
Eraser



Phillips Head
Screwdriver



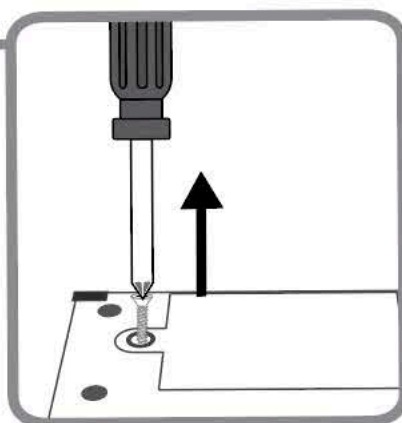
Scissors



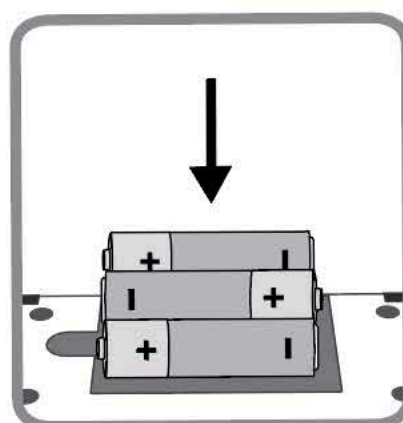
AA Batteries
x3

Batteries

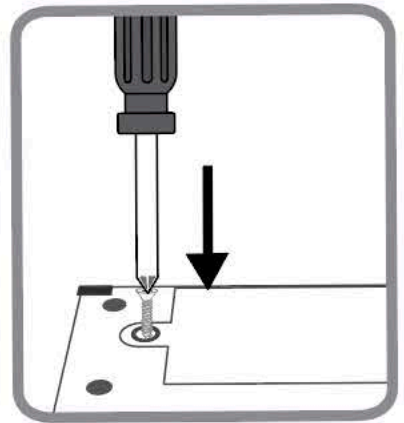
Note: Do not mix old and new batteries. Do not mix alkaline, standard (carbon-zinc), or rechargeable (nickel cadmium) batteries.



Make sure switch is set to "off." Use a Phillips head screwdriver to remove the screw and open battery compartment.

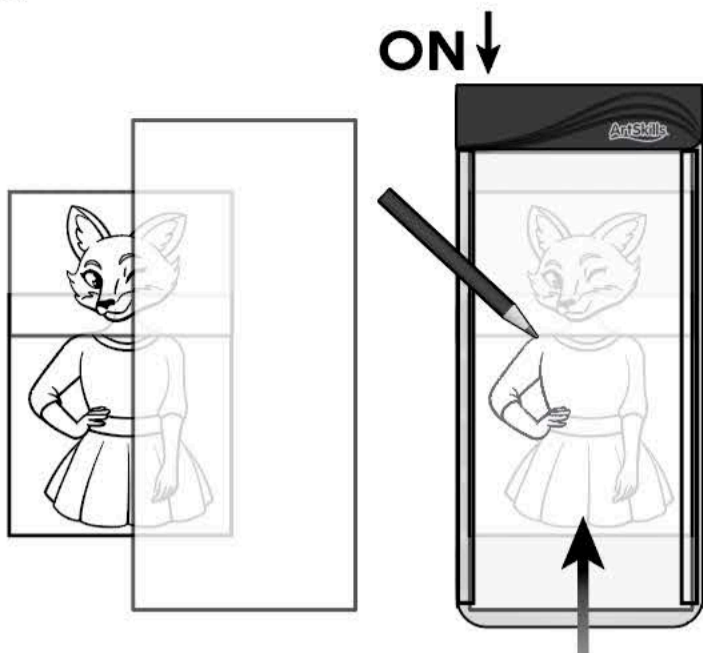


Insert batteries into the compartment as shown.



Once batteries are secure, replace the lid and tighten the screw.

1 Cut, Design & Trace!




Choose an animal face and outfit. Cut them out and line them up. Place the blank sheet on top. Slide stacked sheets under side tracks and secure with top clip. Turn on lightbox. Use the pencil to lightly trace the head and body.

2 Accessorize!



Remove the traced sheet and templates. Cut out an accessory sheet and place it where you want it under the traced sheet. Secure on top of the lightbox and trace.

 **TIP!** Erase unwanted lines!

3 Wash, Splatter & Sponge!



Load your brush with water to smoothly blend colors! Try using one color on the top of the page and a different one on the bottom, then blending them toward the center!



Apply paint to a slightly wet brush and gently flick it to create random splatters of color on the page!
Note: Using too much water will make it harder to control.



Wet sponge, then dip it in paint. Dab the wet sponge on the page. As it dries, try dabbing along the edges of the marks you made. This will help transfer the texture of the sponge!



Trace over your pencil lines with the black permanent marker to finish your artwork!